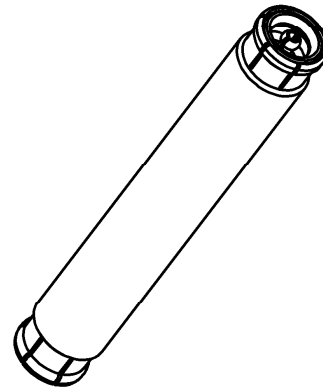
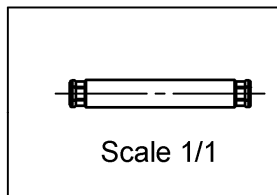
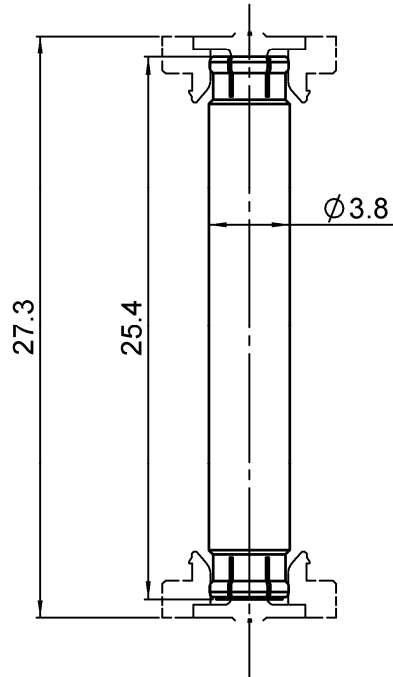


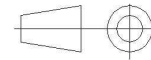
MALE TO MALE ADAPTER
BOARD TO BOARD 27.3MM

R223.703.120

Series : MMBX



All dimensions are in mm.



COMPONENTS	MATERIALS	PLATING (µm)
BODY	BERYLLIUM COPPER	NPGR
CENTER CONTACT	BERYLLIUM COPPER	NPGR
OUTER CONTACT		
INSULATOR	PTFE	
GASKET		
OTHERS PARTS		
-	-	-
-	-	-

Issue : 0921A

In the effort to improve our products, we reserve the right to make changes judged to be necessary.



**MALE TO MALE ADAPTER
BOARD TO BOARD 27.3MM**

R223.703.120

Series : **MMBX**

PACKAGING

Standard	Unit	Other
100	'W' option	Contact us

SPECIFICATION

ELECTRICAL CHARACTERISTICS

Impedance	50	Ω
Frequency	0-12.4	GHz
VSWR	1.20* + 0.0000	x F(GHz) Maxi
Insertion loss	0.18	\sqrt{F} (GHz) dB Maxi
RF leakage	- (100**	- F(GHz)) dB Maxi
Voltage rating	330	Veff Maxi
Dielectric withstanding voltage	500	Veff mini
Insulation resistance	1000	M Ω mini

ENVIRONMENTAL

Operating temperature	-55/+155	$^{\circ}$ C
Hermetic seal	NA	Atm.cm3/s
Panel leakage	NA	

OTHER CHARACTERISTICS

Assembly instruction

Others :

*to 6GHz

**Interface MMBX only up to 2.5 GHz

PCB to PCB -50dB up to 2.5Ghz

MECHANICAL CHARACTERISTICS

Center contact retention		
Axial force – Mating end	10	N mini
Axial force – Opposite end	10	N mini
Torque	NA	N.cm mini
Recommended torque		
Mating	NA	N.cm
Panel nut	NA	N.cm
Mating life	100	Cycles mini
Weight	1.2470	g

Issue : 0921A

In the effort to improve our products, we reserve the right to make changes judged to be necessary.



MALE TO MALE ADAPTER

R223.703.120

BOARD TO BOARD 27.3MM

Series : MMBX

Misalignment Tolerance

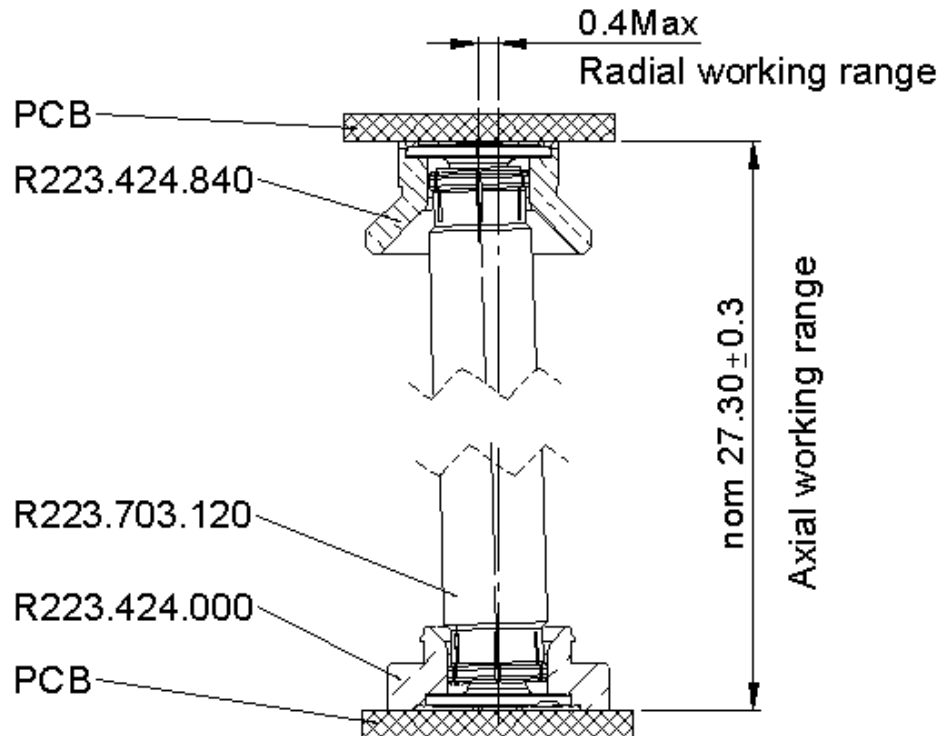


Fig.1

Fig 1:the connector allow axial misalignment of 0.4mm with a nominal value of 27.3mm and radial misalignment of 0.6mm easing connectors assembly. The use of an in-series adapter permits these misalignments both mechanical mating and electrical mating.

Issue : 0921A

In the effort to improve our products, we reserve the right to make changes judged to be necessary.

RADIALL 

**MALE TO MALE ADAPTER
BOARD TO BOARD 27.3MM**

R223.703.120

Series : MMBX

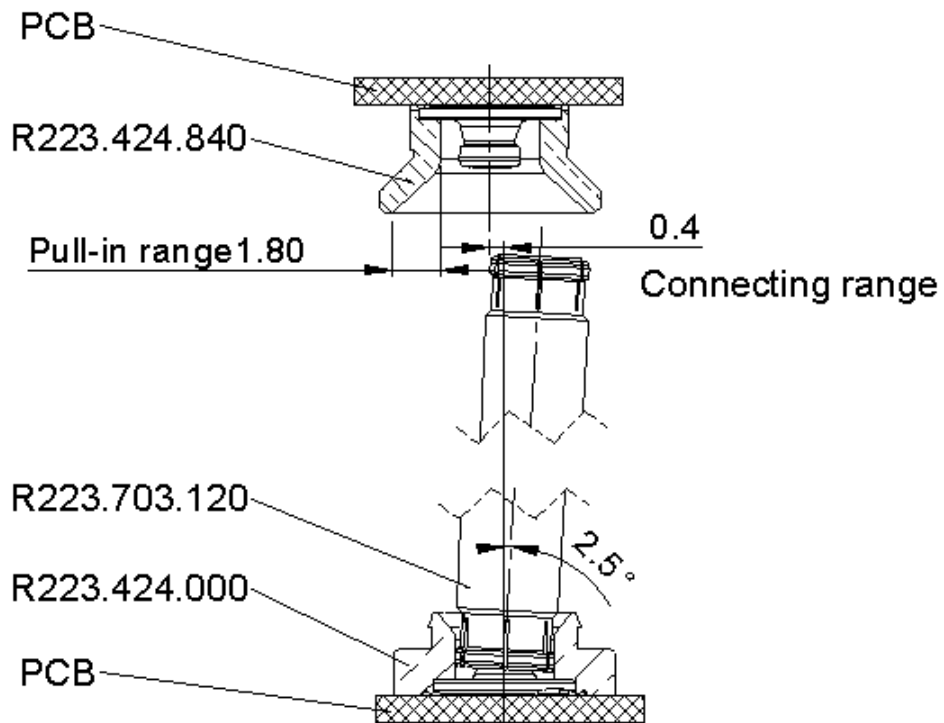


Fig.2

Fig 2:When radial misalignment is at its maximum(0.4mm),
the allowed tilt is $\leq 2.5^\circ$.
The distance between the center line of the in-series adapter
and the center line of the PCB receptacle is in Pull-in range.

Issue : 0921A

In the effort to improve our products, we reserve the right to make changes judged to be necessary.

